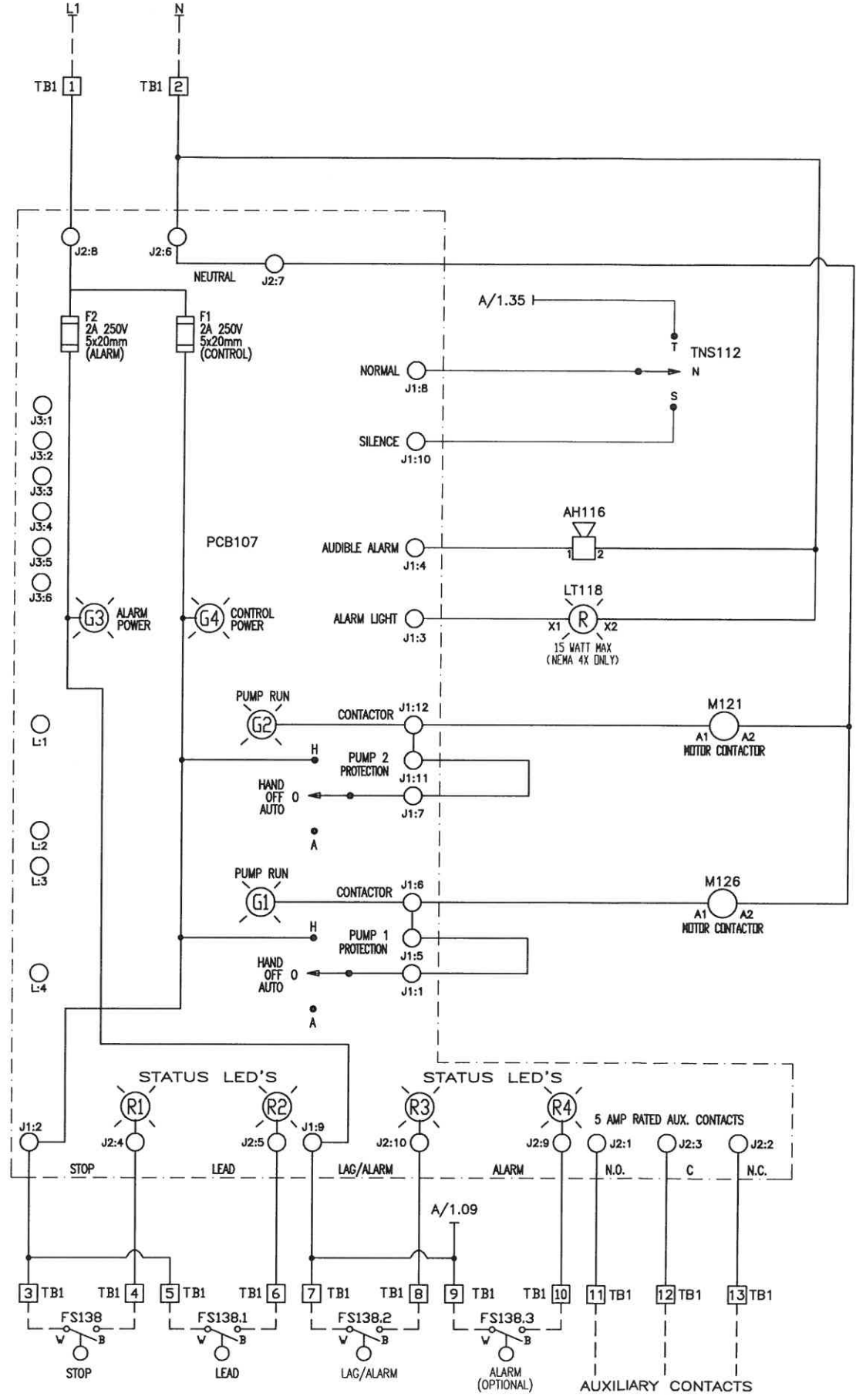
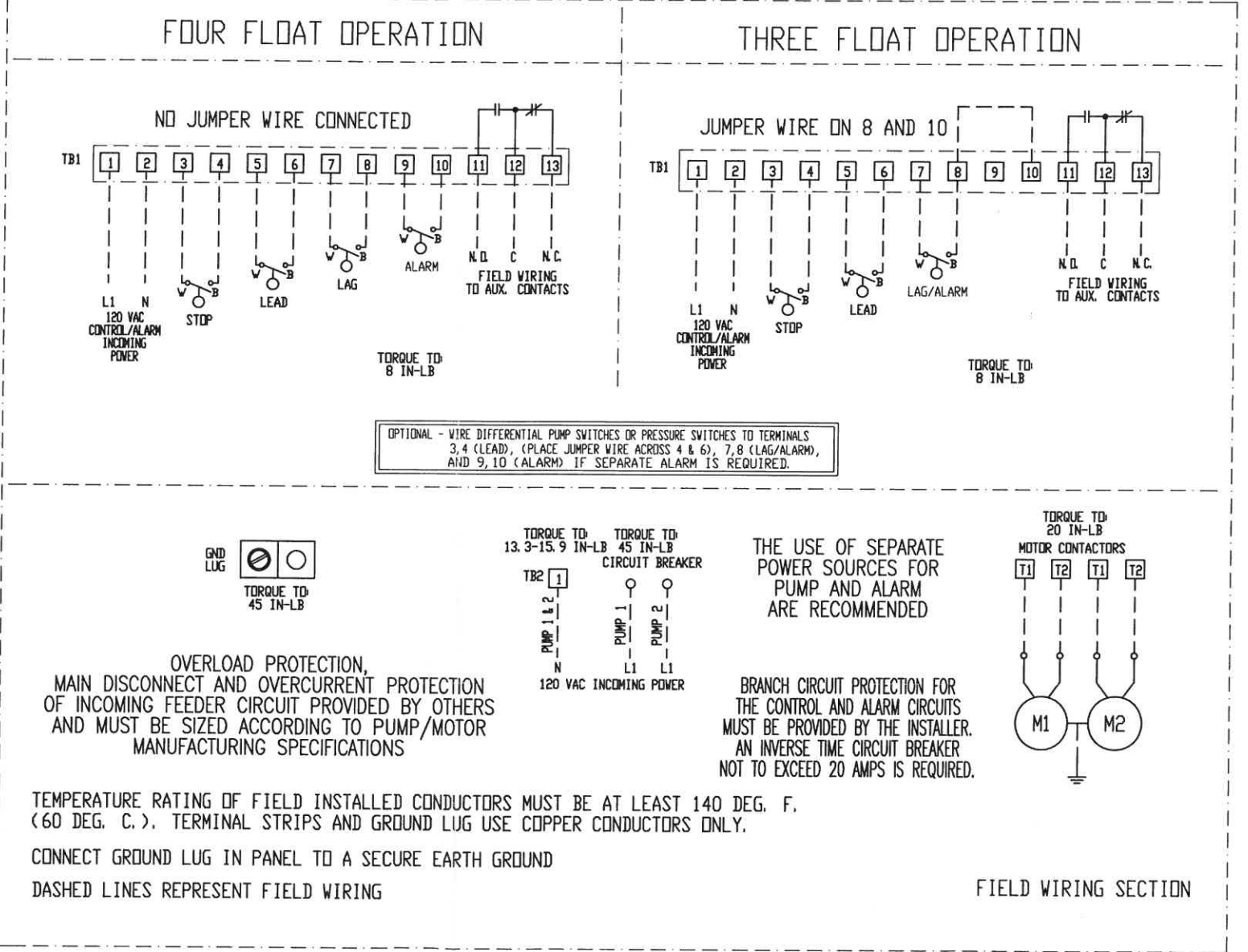
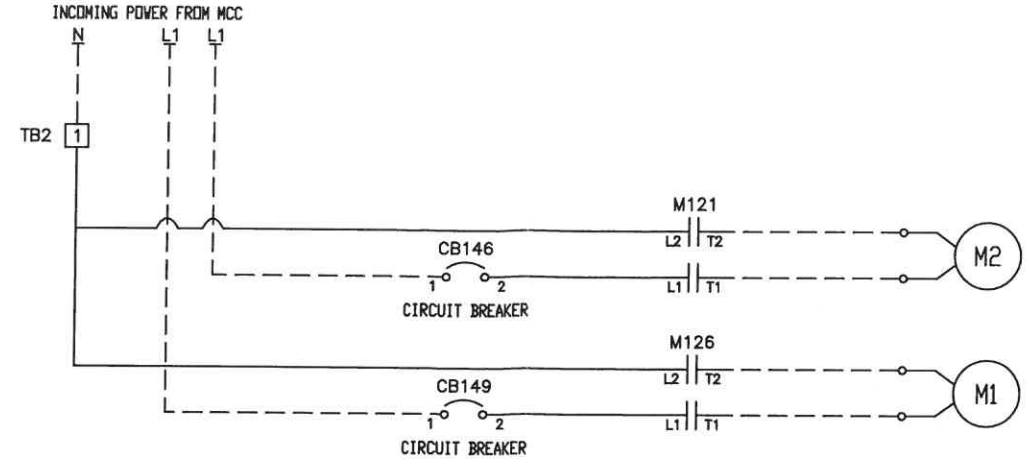


100
101
102
103
104
105
106
107
108
109
110
111
112
113
114
115
116
117
118
119
120
121
122
123
124
125
126
127
128
129
130
131
132
133
134
135
136
137
138
139
140



□	Li-0/n-e
⊗	145
□	Li-0/n-e
⊗	148
⊗	Li-0/n-e
⊗	148

141
142
143
144
145
146
147
148
149
150
151
152
153
154
155
156
157
158
159
160
161
162
163
164
165
166
167
168
169
170
171
172
173
174
175
176
177
178
179
180
181



OVERLOAD PROTECTION, MAIN DISCONNECT AND OVERCURRENT PROTECTION OF INCOMING FEEDER CIRCUIT PROVIDED BY OTHERS AND MUST BE SIZED ACCORDING TO PUMP/MOTOR MANUFACTURING SPECIFICATIONS

TEMPERATURE RATING OF FIELD INSTALLED CONDUCTORS MUST BE AT LEAST 140 DEG. F. (60 DEG. C.). TERMINAL STRIPS AND GROUND LUG USE COPPER CONDUCTORS ONLY.

CONNECT GROUND LUG IN PANEL TO A SECURE EARTH GROUND
DASHED LINES REPRESENT FIELD WIRING

THE USE OF SEPARATE POWER SOURCES FOR PUMP AND ALARM ARE RECOMMENDED
BRANCH CIRCUIT PROTECTION FOR THE CONTROL AND ALARM CIRCUITS MUST BE PROVIDED BY THE INSTALLER. AN INVERSE TIME CIRCUIT BREAKER NOT TO EXCEED 20 AMPS IS REQUIRED.

ACTUAL MODEL NUMBER ORDERED
1221W914H6A17A

WAS: 1221*9(0,1,2,3)4(H,X)6A*

NOTICE: THIS DRAWING CONTAINS PROPRIETARY INFORMATION AND IT SHALL NOT BE USED OR REPRODUCED OR ITS CONTENTS DISCLOSED IN WHOLE OR IN PART, WITHOUT PRIOR WRITTEN CONSENT.										SJE-Rhombus			
REV	CDR	DATE	DRWN	APPD	DEM NAME	DATE	CHKD	DATE	APPD	DATE	PROJECT NO.	QUOTE NO.	REV.
C		8674	11/16	JJ	ACB	11/2/05	GDV	11/2/05	KLC	11/3/05	1017349	N/A	C
B		4647	6/09	GDV	KLC	11/2/05	GDV	11/2/05	GDV	11/2/05			
A		C002613	11/05	GDV									
REV	ECD	NO.	DATE	DRWN	APPD	DEM NAME	DATE	CHKD	DATE	APPD	PAGE	SCALE	DWG SIZE
						N/A					1 of 1	NONE	D
											TITLE LT, RH, SCHEM (SEE ABOVE)		